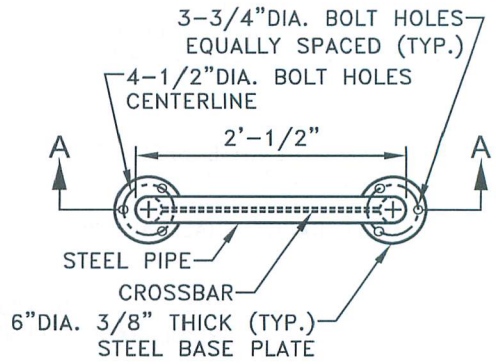
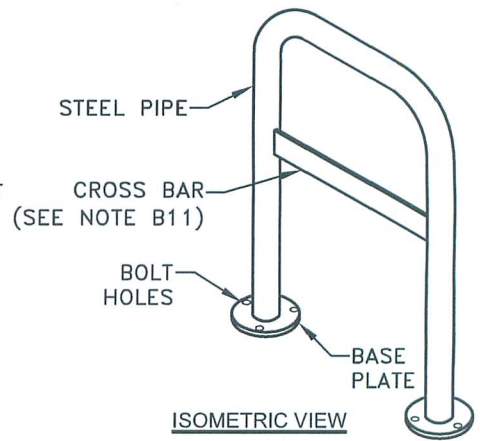


SECTION A-A
(ANCHOR BOLTS ARE NOT SHOWN)

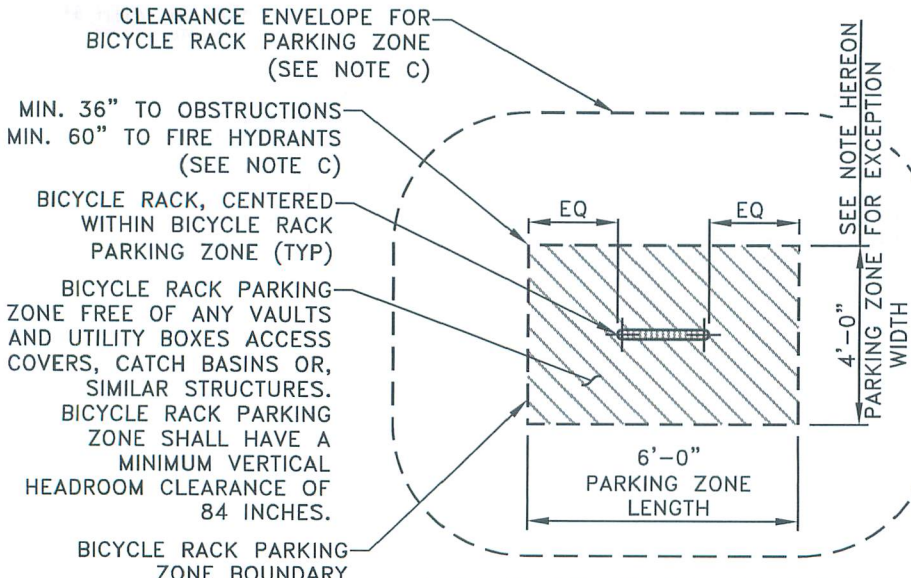


PLAN
(ANCHOR BOLTS ARE NOT SHOWN—SEE NOTE B)



ISOMETRIC VIEW

BICYCLE RACK



BICYCLE RACK PARKING ZONE AND CLEARANCE ENVELOPE

NOTE:
FOR PARALLEL BICYCLE RACKS EITHER STAND-ALONE OR IN A SINGLE-ROW PARALLEL TO THE STREET, THE BICYCLE RACKS SHALL BE SETBACK A MINIMUM OF 3'-0" MEASURED FROM THE BACK OF THE STREET CURB TO THE CENTERLINE OF THE BICYCLE RACKS AND THE BICYCLE RACK PARKING ZONE WIDTH SHALL BE 3'-0"

CITY OF BURBANK – PUBLIC WORKS DEPARTMENT

REV	BY	DATE
7/14/20	AK	7/14/20
7/14/20	JY	7/14/20

BICYCLE RACK

APPROVED BY: *[Signature]* 7/14/20
CITY ENGINEER DATE

STANDARD PLAN
BS-113
SHEET 1 OF 4

NOTES:

A. ALL WORK SHALL BE PERFORMED AND COMPLETED IN ACCORDANCE WITH THESE PLANS AND SPECIFICATIONS AND THE LATEST EDITION AND SUPPLEMENTS TO THE STANDARD SPECIFICATION FOR PUBLIC WORKS CONSTRUCTION.

B. GENERAL

1. UNLESS OTHERWISE SPECIFIED OR APPROVED BY THE CITY ENGINEER, THE BICYCLE RACK SHALL BE AN INVERTED-U DESIGN.
2. BICYCLE RACKS SHALL ALLOW FOR THE USE OF A CABLE AND "U" TYPE LOCKS, AND SHALL SUPPORT THE BICYCLE FRAME (NOT THE WHEEL) AT TWO POINTS, A MINIMUM OF 12 INCHES APART.
3. PIPE: ASTM A53 GRADE B STANDARD WEIGHT STEEL PIPE; 2 INCH DIA. CONSTRUCTED OF 90 DEGREE BENDS WITH AN INSIDE RADIUS BEND OF 4-13/16 INCHES.
4. BASE PLATE: ASTM A36 3/8 INCH THICK PLATE WITH THREE 3/4 INCH DIA. HOLES AT 120 DEGREES SPACING.
5. BOLT: TAMPER-PROOF DRIVE TYPE PIN ANCHOR BOLT WITH A ROUND HEAD MADE OF ZINC PLATED AISI 1038 HEAT TREATED CARBON STEEL, 1/2 INCH DIA BY 3 INCHES LONG. THE ANCHOR BOLT, SHALL BE MANUFACTURED BY POWERS FASTENERS (WWW.POWERS.COM), ALLIED FASTENER AND TOOL (WWW.ALLIEDFASTENER.COM), OR AN APPROVED EQUIVALENT. NO ANCHOR BOLT SHALL CONTAIN ANY SHARP EDGES.
6. ALL METAL COMPONENTS INCLUDING ALL BOLT HOLES SHALL HAVE MINIMUM 4 MIL THICK BLACK COLORED, LONG WEARING, MILDEW AND ULTRAVIOLET RAY RESISTANT ELECTROSTATIC POLYESTER COATING MADE OF TRIGLYCIDYL (TGIC) APPLIED IN THE FACTORY PRIOR TO DELIVERY. ALTERNATE COATING SHALL BE CITY APPROVED THERMOPLASTIC (8-10 MIL THICK).
7. BEFORE COATING APPLICATION, THE BICYCLE RACK SHALL BE SANDBLASTED AND EPOXY PRIMED.
8. ALL VENT HOLES USED DURING FABRICATION MUST BE PLUGGED AND COATED.
9. ALL BOLT HOLES IN THE CONCRETE PAVEMENT OR THE CONCRETE FOUNDATION SHALL BE PREDRILLED HOLES, 1/2 INCH DIA. BY 2-3/4 INCHES DEEP. PRIOR TO INSTALLATION, ALL BOLT HOLES SHALL BE CLEANED OF DUST OR DELETERIOUS MATERIAL. ALL ANCHOR BOLTS SHALL BE DRIVEN VERTICALLY THROUGH THE SUPPORT PLATE INTO THE BOLT HOLES UNTIL THE HEAD IS FIRMLY SEATED AGAINST THE SUPPORT PLATE. NO PROTRUDING OR NON-FLUSH ANCHOR BOLTS SHALL BE USED.
10. FOR CONCRETE PAVEMENT THAT IS LESS THAN 3 INCHES THICK, CONSTRUCT CONCRETE FOUNDATION IN ACCORDANCE WITH THE SPECIFIED DETAILS. BIKE RACKS SHALL BE INSTALLED PARALLEL WITH THE PREVAILING SIDEWALK GRADE. THE SIDEWALK GRADE SHALL BE MEASURED AND THE BIKE RACK'S LEGS SHALL BE ADJUSTED TO MATCH THE SIDEWALK GRADE BEFORE WELDING THEM TO THE BASE PLATE. FOR CONCRETE PAVEMENT WITH MINOR UNEVENNESS, USE HOT DIPPED GALVANIZED STEEL OR STAINLESS STEEL WASHERS TO LEVEL THE BIKE RACK AND THE BASE PLATES BEFORE DRIVING THE ANCHOR BOLTS. FILL ALL OPENINGS AND VOIDS WITH NON-SHRINK GROUT AFTER ERECTION OF THE BICYCLE RACK.
11. FOR PARALLEL BICYCLE RACK(S) ARRANGED IN EITHER A SINGLE ROW PARALLEL TO THE STREET OR AS A SINGLE STAND-ALONE RACK, CITY ENGINEER WILL MAKE THE FINAL DETERMINATION OF WHETHER OR NOT A CROSSBAR IS NEEDED FOR THE BICYCLE RACKS. FOR ALL OTHER RACK LAYOUTS, REGARDLESS OF WHO INSTALLS THEM, A BICYCLE RACK CROSSBAR SHALL BE PROVIDED.


CITY OF BURBANK – PUBLIC WORKS DEPARTMENT

REV	BY	DATE	BICYCLE RACK	STANDARD PLAN
			APPROVED BY: 	BS-113
			CITY ENGINEER	SHEET 2 OF 4
			DATE: 7/14/20	

C. BICYCLE RACK CLEARANCES:

1. FOR SINGLE PARALLEL BICYCLE RACKS AND SINGLE-ROW PARALLEL BICYCLE RACKS, EACH BICYCLE RACK SHALL HAVE A PARKING ZONE OF 36 INCHES WIDE BY 72 INCHES LONG. FOR ALL OTHER BICYCLE RACK ARRANGEMENTS, EACH BICYCLE RACK SHALL HAVE A PARKING ZONE OF 48 INCHES WIDE BY 72 INCHES LONG.
2. BICYCLE RACKS SHALL BE INSTALLED WITHIN THE SIDEWALK AMENITY ZONE ADJACENT AND CLOSEST TO THE STREET CURB OUTSIDE BUS BOARDING ZONES AT LOCATIONS APPROVED BY THE CITY ENGINEER.
3. A MINIMUM FIVE FEET WIDE UNOBSTRUCTED PEDESTRIAN ACCESS ROUTE (PAR) SHALL BE PROVIDED.
4. NO BICYCLE PARKING ZONE SHALL PROTRUDE FROM PRIVATE PROPERTY INTO THE SIDEWALK PUBLIC RIGHT-OF-WAY.
5. LOCATION: NO BICYCLE RACK SHALL BE LOCATED:
 - a. WITHIN (5) FEET OF ANY MARKED CROSSWALK, FIRE HYDRANT, FIRE CALL BOX, POLICE CALL BOX OR EMERGENCY FACILITY, DRIVEWAY, BUS BENCH OR ANY BENCH FOR PUBLIC CONVENIENCE, POWER POLE, STREET LIGHT, TRAFFIC SIGNAL, OR UTILITY POLE;
 - b. WITHIN (3) FEET OF ANY AREA IMPROVED WITH LAWN, GROUND COVER, FLOWERS, SHRUBS OR TREES, TREE WELL, DISPLAY WINDOW OF ANY BUILDING ABUTTING THE SIDEWALK AS TO IMPEDE ITS USE FOR DISPLAY PURPOSES, UTILITY METER, TRAFFIC SIGN, MANHOLE, CATCH BASIN, UTILITY VAULT, MAILBOX, UNDER SIDEWALK STORM DRAIN, PULLBOX FOR STREET LIGHTS AND TRAFFIC SIGNALS, UTILITY SHUT-OFF VALVES, BENCHMARKS, OR CENTERLINE TIES;
 - c. WITHIN (15) FEET OF CURB RETURN OF UNMARKED CROSSWALK, 5 FEET AHEAD OF AND 25 FEET TO THE REAR OF BUS STOP SIGN, ANY LOCATION WHERE PEDESTRIAN PASSAGEWAY IS REDUCED TO LESS THAN 6 FEET, ADJACENT TO ANY PAINTED CURB, OR UPON ANY DECORATIVE SIDEWALK
6. UNLESS OTHERWISE APPROVED BY THE CITY ENGINEER, BICYCLE RACK INSTALLATIONS SHALL CONFORM TO THE FOLLOWING CLEARANCES AND ALL APPLICABLE AMERICANS WITH DISABILITIES ACT (ADA) REQUIREMENTS. UNLESS OTHERWISE NOTED, THE FOLLOWING BICYCLE RACK PARKING ZONE CLEARANCE ENVELOPES ARE MEASURED FROM THE BOUNDARY OF THE BICYCLE RACK PARKING ZONE:
 - a. PROVIDE 45 FEET MINIMUM CLEARANCE FROM ALL STREET CORNERS.
 - b. PROVIDE 25 FEET MINIMUM CLEARANCE FROM THE BEGINNING OF THE CURB RETURN (BCR), THE END OF THE CURB RETURN (ECR) AND, THE TOP OF THE CURB OF ANY CURB RAMP, DRIVEWAY, OR ALLEY INTERSECTION.
 - c. PROVIDE 60 INCHES MINIMUM CLEARANCE TO FIRE HYDRANTS. PROVIDE 48 INCH MINIMUM CLEARANCE TO FIRE DEPARTMENT CONNECTIONS WHETHER THE CONNECTIONS ARE LOCATED IN THE PUBLIC RIGHT-OF-WAY OR ON PRIVATE PROPERTY ALONG A BUILDING FACE.
 - d. EACH BICYCLE RACK PARKING ZONE SHALL HAVE AT LEAST ONE 48 INCHES WIDE MINIMUM CLEAR AND UNOBSTRUCTED CONTINUOUS SIDEWALK PATH TO ALLOW FOR EGRESS AND INGRESS FROM EACH BICYCLE RACK PARKING ZONE TO AND FROM THE SIDEWALK AREA. THIS PATH MAYBE ADJACENT TO EITHER THE WIDTH OR THE LENGTH SIDES OF EACH PARKING ZONE.
 - e. PROVIDE 36 INCHES MINIMUM CLEARANCE TO OBSTRUCTIONS SUCH AS SIDEWALK FURNITURE OR STREET IMPROVEMENTS INCLUDING BUT NOT LIMITED TO STREET TREES, TREEWELLS, LANDSCAPE, PARKING METERS, STREET LIGHTING, TRAFFIC SIGNS OR POSTS, OTHER UTILITY FACILITIES/ COVERS.
 - f. WHERE ON-STREET PARKING IS ALLOWED, PROVIDE 36 INCHES MINIMUM CLEARANCE (CONVENIENCE STRIP) TO THE BACK OF THE CURB.
 - g. PROVIDE A 4 INCH MINIMUM CLEARANCE FROM THE BICYCLE RACK BASE PLATE EDGE TO ANY EXPANSION JOINT OR CONTROL JOINT IN THE CONCRETE SIDEWALK PAVEMENT.

CITY OF BURBANK – PUBLIC WORKS DEPARTMENT

REV	BY	DATE	BICYCLE RACK		STANDARD PLAN
			APPROVED BY:		BS-113
				7/14/20	SHEET 3 OF 4
				DATE	

h. UNLESS THE OUTSIDE BOUNDARY OF A BICYCLE RACK PARKING ZONE IS SET 10 FEET OR MORE FROM A PARKWAY, OR 4 FEET OR MORE FROM A TREEWELL, MEASURED PARALLEL TO FACE OF CURB AND IS UNOBSTRUCTED FROM PEDESTRIANS VIEW, NO PART OF THE BICYCLE RACK PARKING ZONE SHALL PROTRUDE BEYOND THE ADJACENT PARKWAY/ TREEWELL ALIGNMENT. IN ADDITION, NO PART OF THE BICYCLE RACK PARKING ZONE SHALL PROTRUDE INTO THE REQUIRED PEDESTRIAN ZONE AND/OR THE PEDESTRIAN ACCESS ROUTE.


i. BICYCLE RACKS LAYOUTS – NOT WITHSTANDING THE CLEARANCES NOTED ABOVE, THE FOLLOWING LAYOUT REQUIREMENTS APPLY:

BICYCLE RACK PARKING ZONES		MIN. SIDEWALK BORDER (FEET)*	
SIZE	LAYOUT	STREET PARKING PERMITTED	STREET PARKING NOT PERMITTED**
36" X 72"	PARALLEL: SINGLE ROW OR/ STAND-ALONE	10	10
48" X 72"	PERPENDICULAR: SINGLE ROW OR/ STAND-ALONE	13	13
	PARALLEL: DOUBLE-STACKED	15	15

*SIDEWALK BORDER IS MEASURED FROM THE CURB FACE TO THE PROPERTY LINE.

**WHERE STREET PARKING RESTRICTION IS LIFTED, PERMITTEE SHALL RELOCATE BICYCLE RACK AT THE DIRECTION OF THE CITY.

CITY OF BURBANK – PUBLIC WORKS DEPARTMENT

REV	BY	DATE	BICYCLE RACK	STANDARD PLAN
			APPROVED BY: 	BS-113
			CITY ENGINEER	7/14/20 DATE
				SHEET 4 OF 4