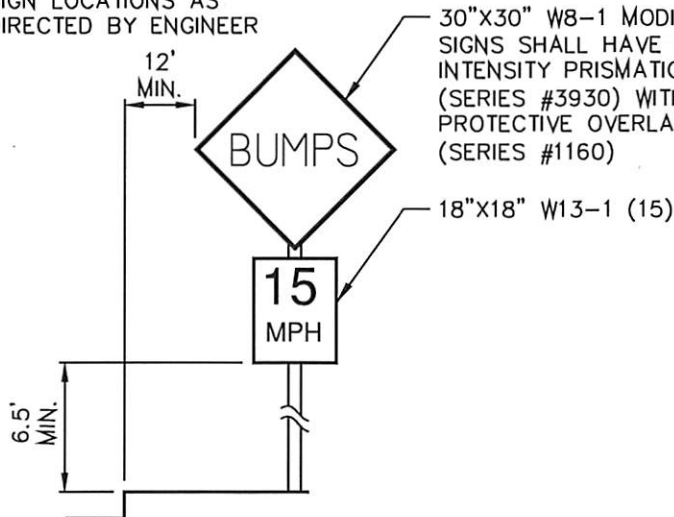


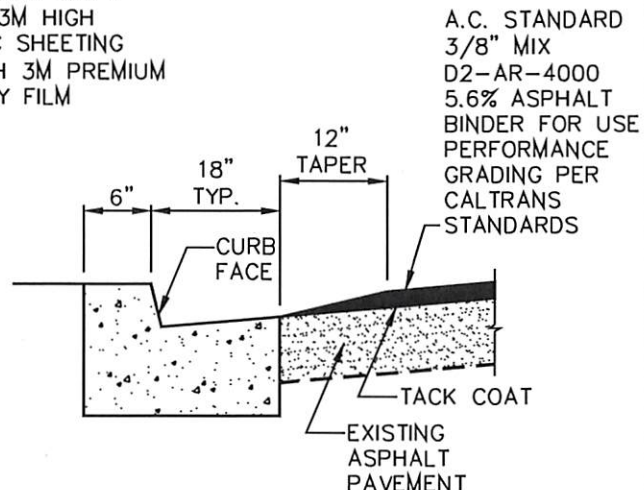
SIGN LOCATIONS AS DIRECTED BY ENGINEER



30"x30" W8-1 MODIFIED COPY SIGNS SHALL HAVE 3M HIGH INTENSITY PRISMATIC SHEETING (SERIES #3930) WITH 3M PREMIUM PROTECTIVE OVERLAY FILM (SERIES #1160)

18"x18" W13-1 (15)

ADVANCE SIGNS
NOT TO SCALE



SECTION A-A
NOT TO SCALE

INSTALLATION DETAILS:

1. SPEED HUMPS SHOULD NOT BE PLACED OVER MANHOLES, WATER VALVES, ETC.
2. EDGE OF SPEED HUMP SHALL BE 5 FEET MINIMUM FROM EDGE OF DRIVEWAY.
3. WHENEVER POSSIBLE SPEED HUMPS SHALL BE PLACED ADJACENT TO STREET LIGHTS.
4. FINISH GRADE OF ASPHALT MAY VARY BY 1/4" (HIGHER OR LOWER).

CITY OF BURBANK – PUBLIC WORKS DEPARTMENT

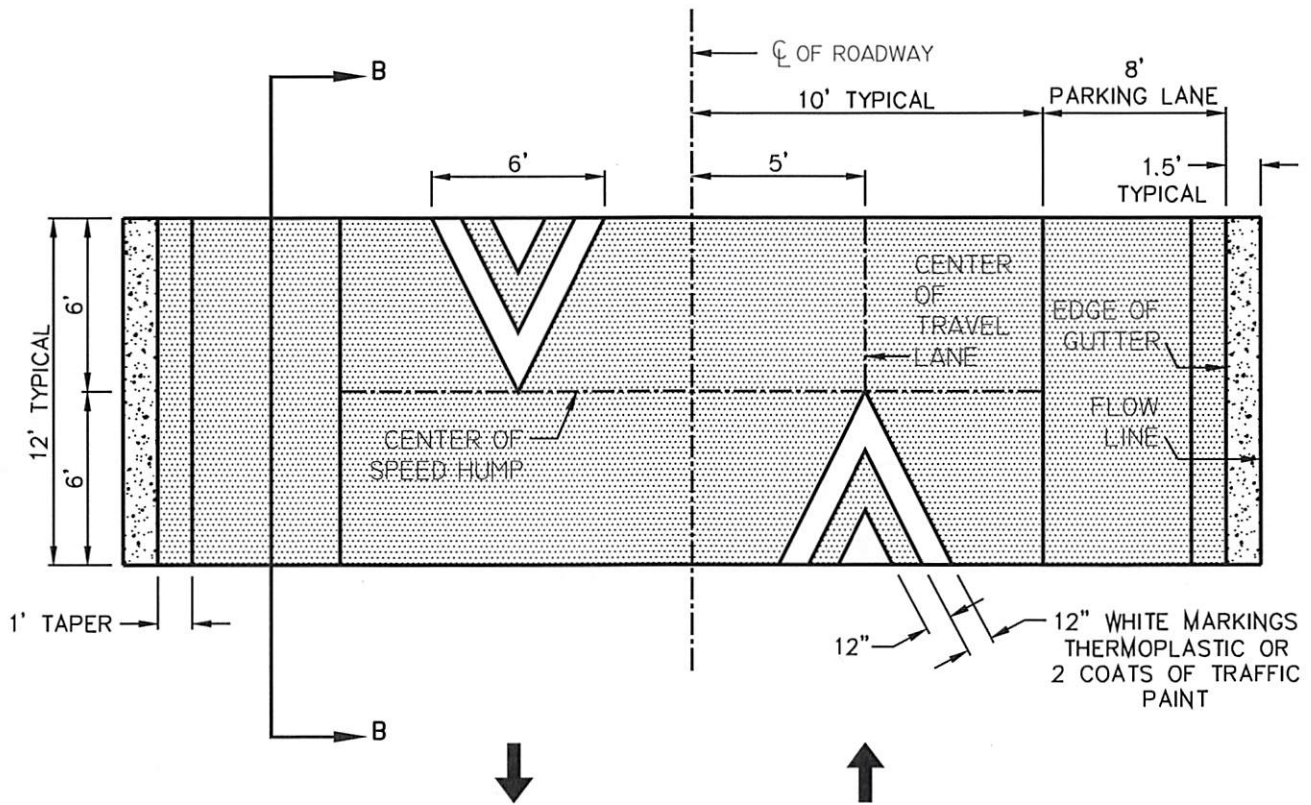
REVIEW	INITIAL	DATE
<i>[Signature]</i>	JY	12/20/16

STANDARD 3" SPEED HUMP

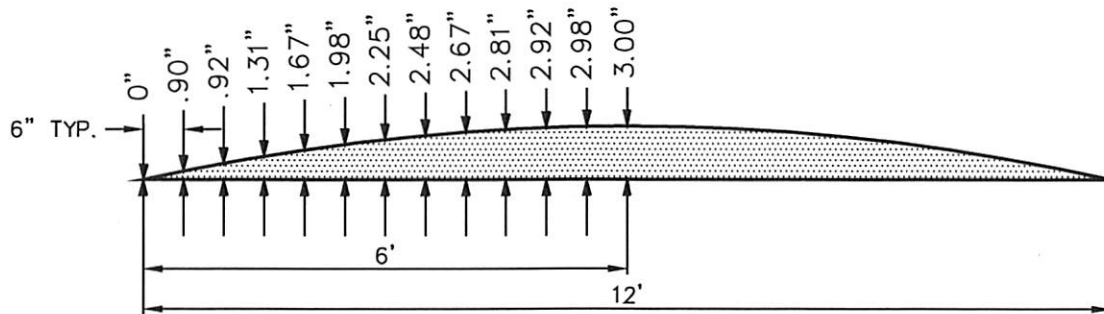
APPROVED BY: *[Signature]*
ACTING PUBLIC WORKS DIRECTOR

12/21/16
DATE

STANDARD PLAN
BT-414
SHEET 1 OF 2



SPEED HUMP MARKING
NOT TO SCALE



SECTION B-B
NOT TO SCALE

CITY OF BURBANK – PUBLIC WORKS DEPARTMENT

REVIEW	INITIAL	DATE
<i>[Signature]</i>	JY	12/20/16

STANDARD 3" SPEED HUMP

APPROVED BY:

Active

[Signature]
PUBLIC WORKS DIRECTOR

12/21/16
DATE

STANDARD PLAN

BT-414

SHEET 2 OF 2