

CONCRETE BLOCKWALL REINFORCED WITH MIN. #4 STEEL BAR HORIZONTAL AND VERTICAL DIRECTION AT EVERY OTHER CELL.

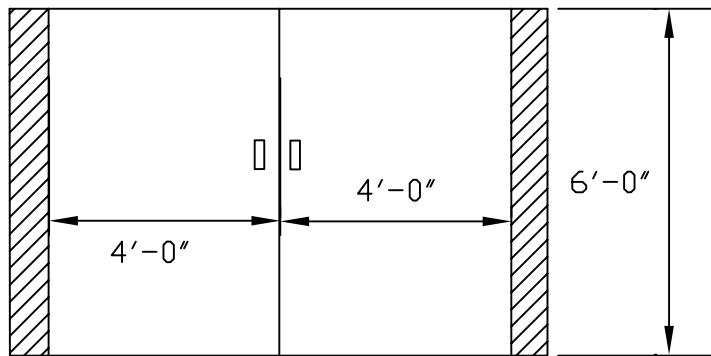
BUMPER STOP
6" HIGH x 6' LONG
2' OFF GROUND

FILL EVERY BLOCK CELL WITH CONCRETE, CAP AT TOP OF WALL AND PAINT SAME COLOR AS BUILDING.

4" THICK MIN. CONCRETE SLAB

HINGED OR SLIDING DOORS TO OPEN OUTWARD. DOORS ARE NOT REQUIRED TO BE SELF CLOSING.

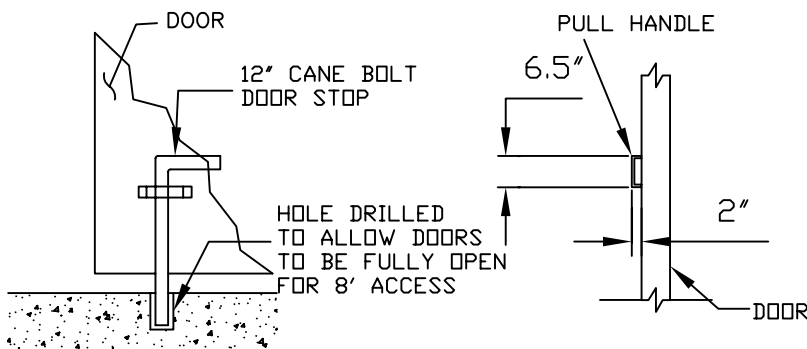
FLAT LEVEL SURFACE TO GRADE OR ALLEY



ELEVATION VIEW

NOTES:

1. MULTIFAMILY PROJECTS WITH FOUR OR MORE DWELLING UNITS MUST PROVIDE TRASH COLLECTION AREA NO SMALLER THAN 7'X8' (INSIDE DIMENSIONS).
2. TRASH ENCLOSURES SHALL BE ENCLOSE ON THREE SIDES BY SIX-FOOT HIGH, MINIMUM, MASONRY WALLS AND HAVE SOLID PERMANENT METAL GATES.
3. DOORS MAY SWING OR SLIDE OPEN, DOORS SHALL NOT SWING OUT INTO ANY PUBLIC RIGHT-OF-WAY.
4. THE MATERIALS, COLORS, AND FINISH OF TRASH ENCLOSURES LOCATED OUTSIDE OF A STRUCTURES MUST BE CONSISTENT WITH OR COMPLEMENTARY TO THE ARCHITECTURAL STYLE OF THE BUILDING.
5. 8' MIN. ACCESS DRIVEWAY OR WALKWAY



(A) DOOR STOP DETAILS
NOT TO SCALE

(B) PULL HANDLE DETAILS
NOT TO SCALE

CITY OF BURBANK – PUBLIC WORKS DEPARTMENT

REV	BY	DATE
	EF	06/07/06

OUTSIDE BIN ENCLOSURE

APPROVED BY

PUBLIC WORKS DIRECTOR

DATE

STANDARD PLAN

BS-

ONE SHEET